

MANUAL – INSTALLATION

Linear Slot Diffusers

SDS/SDR

v100 – Issue Date: 07/06/15

© 2015 Price Industries Limited. All rights reserved.

PRICE[®]

LINEAR SLOT DIFFUSERS

TABLE OF CONTENTS

Installation Instructions

Plaster finishing for types 8 & 8A	1
Type 1 & 1B	2-4
Type 2	5-9
Type 3, 6 & 7	10-14
Type 8 & 8A	15-19
Type 9A, 9B & 12	20-21
Type 14, 15, 17, 18, 19, 20 & 916	22-25
Type 16	26-27
Type 21 & 22	28-29
Pattern Controller Adjustment Instructions.....	30
Vinyl Blankoff Installation	31

LINEAR SLOT DIFFUSERS

INSTALLATION INSTRUCTIONS

ALWAYS READ & UNDERSTAND ALL INSTALLATION INSTRUCTIONS PRIOR TO STARTING.

THIS INSTRUCTION APPLIES TO FINISHING THE DRYWALL AFTER INSTALLING:

- CUSTOM FLOW LINEAR DIFFUSERS WITH CONCEALED PLASTER FRAMES - TYPES 22, 22A, 22C, 22P, 22SM AND 22ASM.
- SDS/SDR LINEAR DIFFUSERS WITH CONCEALED PLASTER FRAMES - TYPES 8, 8A.

FOR INSTALLATION OF CUSTOM FLOW DIFFUSERS:

- WITH TYPE 'C' CONCEALED MOUNTING BRACKETS (TYPES 22C AND 22SM), SEE ALSO I100028
- WITH TYPE 'P' MOUNTING BRACKETS (TYPE 22P), SEE ALSO I100031
- WITH TYPE 'A' COUNTERSUNK SCREW MOUNTING (TYPE 22A AND 22ASM), SEE ALSO I100032
- WITH MOUNTING PLATES (TYPE 22), SEE ALSO I100033

FOR INSTALLATION OF SDS/SDR DIFFUSERS:

- WITH CONCEALED MOUNTING BRACKETS (TYPE 8), SEE ALSO I100044
- WITH TYPE 'A' COUNTERSUNK SCREW MOUNTING (TYPE 8A), SEE ALSO I100044

STEP 1:

THOROUGHLY CLEAN DIFFUSER FLANGES TO REMOVE ANY OILS OR RESIDUE FROM THE SURFACE.

STEP 2:

APPLY ONE COAT OF A BONDING AGENT OVER THE ENTIRE SURFACE OF THE FLANGE, AND ALLOW TO DRY PER MANUFACTURER'S INSTRUCTIONS.

STEP 3:

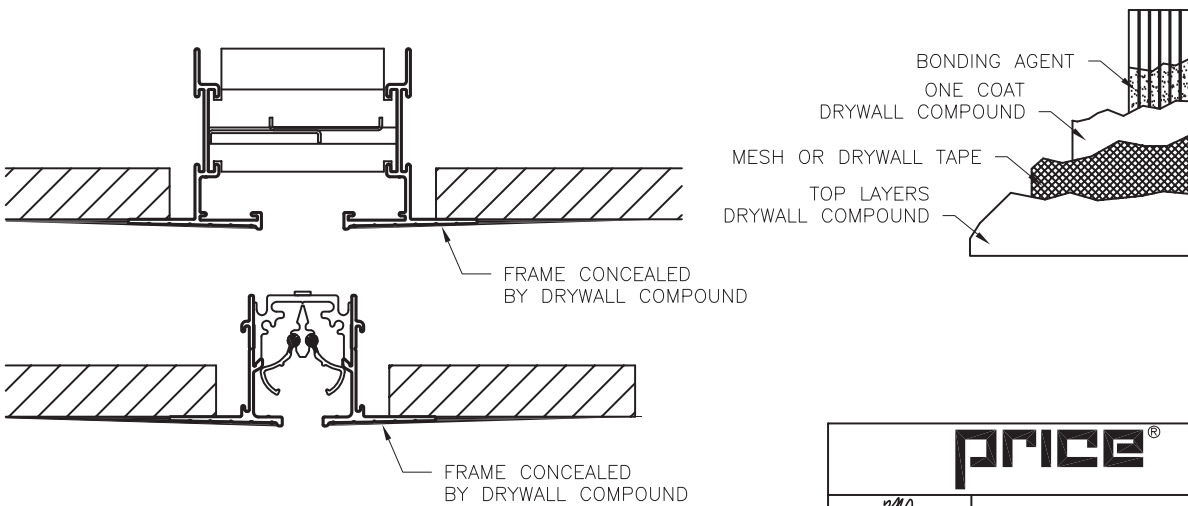
APPLY ONE COAT OF DRYWALL COMPOUND ON THE DIFFUSER FLANGES AND APPROXIMATELY 3" (76) ONTO THE DRYWALL BEYOND THE FLANGE.


STEP 4:

APPLY A 4" (102) WIDE MESH OR PAPER TAPE TO THE JOINT COMPOUND. BE SURE TO SMOOTH IT OUT AND REMOVE ANY AIR POCKETS. THE MESH OR TAPE SHOULD COVER THE DIFFUSER FLANGE, BUT NOT EXTEND ONTO THE VERTICAL INSIDE EDGE OF THE DIFFUSER FRAME. APPLY A SECOND COAT OF DRYWALL COMPOUND OVER THE TAPE AND SMOOTH. ALLOW THIS TO DRY.

STEP 5:

APPLY AT LEAST TWO COATS OF FINISHING COMPOUND. ONCE IT HAS DRIED, SAND IT SMOOTH, PRIME, AND PAINT THE SURFACE.



PRICE[®]	
	MUD-IN FRAME
I100030	INSTALLATION INSTRUCTIONS
2013/08/13	CF TYPES 22, 22A 22C, 22P, 22ASM, 22SM SDS TYPES 8, 8A

LINEAR SLOT DIFFUSERS

INSTALLATION INSTRUCTIONS

ALWAYS READ & UNDERSTAND ALL INSTALLATION INSTRUCTIONS PRIOR TO STARTING.

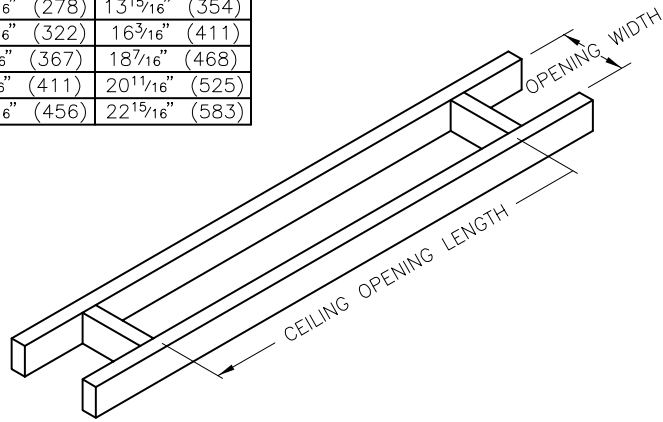
THIS INSTRUCTION APPLIES TO SDS/SDR SURFACE MOUNTED LINEAR DIFFUSERS, FRAME TYPES 1 AND 1B

STEP1:

FRAME CEILING OPENING: REFER TO CHARTS FOR RECOMMENDED OPENING WIDTH AND LENGTH DIMENSIONS.

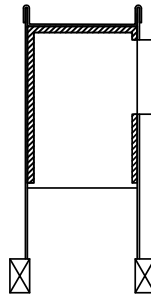
SLOT QTY.	NOMINAL DUCT WIDTH			
	SD50	SD75	SD100	SD150
1 SLOT	1 ¹¹ / ₁₆ " (43)	1 ¹⁵ / ₁₆ " (49)	2 ³ / ₁₆ " (56)	2 ¹¹ / ₁₆ " (68)
2 SLOT	2 ¹⁵ / ₁₆ " (75)	3 ⁷ / ₁₆ " (87)	3 ¹⁵ / ₁₆ " (100)	4 ¹⁵ / ₁₆ " (125)
3 SLOT	4 ³ / ₁₆ " (106)	4 ¹⁵ / ₁₆ " (125)	5 ¹¹ / ₁₆ " (144)	7 ³ / ₁₆ " (183)
4 SLOT	5 ⁷ / ₁₆ " (138)	6 ⁷ / ₁₆ " (164)	7 ⁷ / ₁₆ " (189)	9 ⁷ / ₁₆ " (240)
5 SLOT	6 ¹¹ / ₁₆ " (170)	7 ¹⁵ / ₁₆ " (202)	9 ³ / ₁₆ " (233)	11 ¹¹ / ₁₆ " (297)
6 SLOT	7 ¹⁵ / ₁₆ " (202)	9 ⁷ / ₁₆ " (240)	10 ¹⁵ / ₁₆ " (278)	13 ¹⁵ / ₁₆ " (354)
7 SLOT	9 ³ / ₁₆ " (233)	10 ¹⁵ / ₁₆ " (278)	12 ¹¹ / ₁₆ " (322)	16 ³ / ₁₆ " (411)
8 SLOT	10 ⁷ / ₁₆ " (265)	12 ⁷ / ₁₆ " (316)	14 ⁷ / ₁₆ " (367)	18 ⁷ / ₁₆ " (468)
9 SLOT	11 ¹¹ / ₁₆ " (297)	13 ¹⁵ / ₁₆ " (354)	16 ³ / ₁₆ " (411)	20 ¹¹ / ₁₆ " (525)
10 SLOT	12 ¹⁵ / ₁₆ " (328)	15 ⁷ / ₁₆ " (392)	17 ¹⁵ / ₁₆ " (456)	22 ¹⁵ / ₁₆ " (583)

END CONDITION	CEILING OPENING LENGTH
ALL	NOM. LENGTH



STEP2:

INSTALL PLENUM. USE PRICE TYPE 2 SDA/SDB PLENUM, UP/UPL PLENUM OR FIELD BUILD PLENUM WITH HEMMED EDGE. THE PLENUM WIDTH IS WIDER THAN THE CEILING OPENING THEREFORE IT MUST BE MOUNTED ABOVE THE CEILING.



PRICE[®]	
<i>MG</i>	SDS/SDR
1100041	INSTALLATION INSTRUCTIONS TYPES 1 & 1B
2013/08/23	

LINEAR SLOT DIFFUSERS

INSTALLATION INSTRUCTIONS

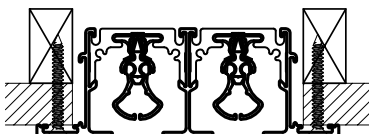
STEP3:

INSTALL DRYWALL TO CEILING. FINISH AND PAINT.



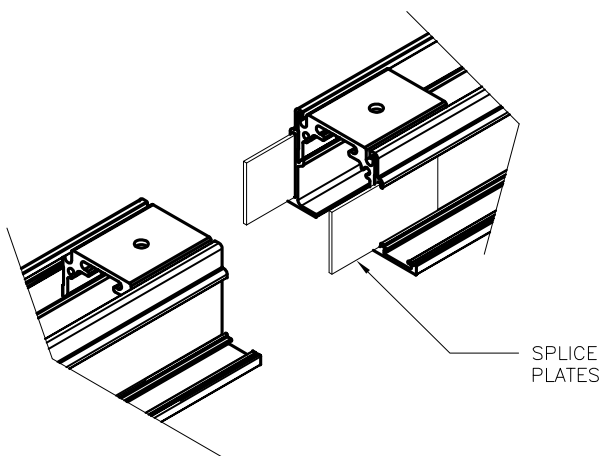
STEP4:

ONCE PLENUM IS INSTALLED, SCREW THE DIFFUSER FRAME TO THE CEILING (TYPE 1).
FOR TYPE 1B FRAMES FASTENING METHOD IS NOT SUPPLIED BY PRICE.




STEP5:

IF MULTIPLE SECTIONS OF DIFFUSERS ARE USED, ALIGN SECTIONS TOGETHER USING THE SUPPLIED SPLICE PLATES AS ADDITIONAL SECTIONS ARE ADDED.



STEP6:

ADJUST DIFFUSER FOR DESIRED FLOW AS PER INSTALLATION INSTRUCTION I100049.

PRICE [®]	
	SDS/SDR
I100041	INSTALLATION INSTRUCTIONS TYPES 1 & 1B
2013/08/23	

LINEAR SLOT DIFFUSERS

INSTALLATION INSTRUCTIONS

Y-END SPLICE PLATES:

ITEM	QUANTITY
Y-END SPLICE PLATE	2

SCREW MOUNTING (TYPE 1):

DIFFUSER SIZE	COUNTERSUNK SCREW QUANTITY
UP TO 14"	2
>14" TO 22"	4
>22" TO 36"	6
>36" TO 48"	8
>48" TO 72"	10

PARTS LIST:

TYPE	DESCRIPTION	PART NUMBER
SDS/SDR	Y-END ALIGNMENT SPLICE PLATE	234599-001
SDS/SDR	#8 SCREW 1.5" WHITE	031720-001
SDS/SDR	#8 SCREW 1.5" BLACK	031720-002

PRICE[®]	
<i>MG</i>	SDS/SDR
1100041	INSTALLATION INSTRUCTIONS TYPES 1 & 1B
2013/08/23	

LINEAR SLOT DIFFUSERS

INSTALLATION INSTRUCTIONS

ALWAYS READ & UNDERSTAND ALL INSTALLATION INSTRUCTIONS PRIOR TO STARTING.

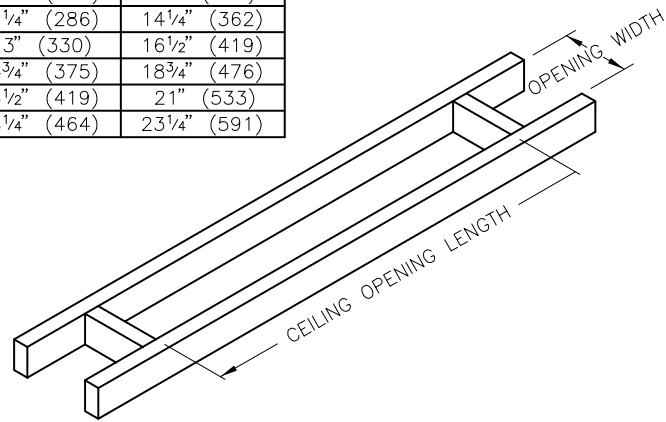
THIS INSTRUCTION APPLIES TO SDS/SDR SURFACE MOUNTED LINEAR DIFFUSERS, FRAME TYPES 2.

STEP1:

FRAME CEILING OPENING. REFER TO CHARTS FOR RECOMMENDED OPENING WIDTH AND LENGTH DIMENSIONS.

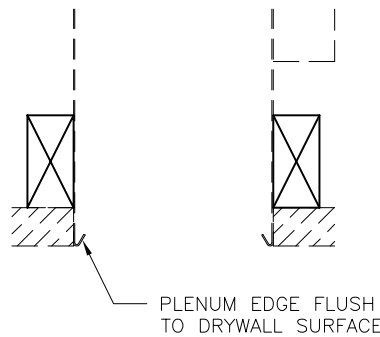
SLOT QTY.	NOMINAL DUCT WIDTH			
	SDS50	SDS75	SDS100	SDS150
1 SLOT	2" (51)	2 1/4" (57)	2 1/2" (64)	3" (76)
2 SLOT	3 1/4" (83)	3 3/4" (95)	4 1/4" (108)	5 1/4" (133)
3 SLOT	4 1/2" (114)	5 1/4" (133)	6" (152)	7 1/2" (191)
4 SLOT	5 3/4" (146)	6 3/4" (171)	7 3/4" (197)	9 3/4" (248)
5 SLOT	7" (178)	8 1/4" (210)	9 1/2" (241)	12" (305)
6 SLOT	8 1/4" (210)	9 3/4" (248)	11 1/4" (286)	14 1/4" (362)
7 SLOT	9 1/2" (241)	11 1/4" (286)	13" (330)	16 1/2" (419)
8 SLOT	10 3/4" (273)	12 3/4" (324)	14 3/4" (375)	18 3/4" (476)
9 SLOT	12" (305)	14 1/4" (362)	16 1/2" (419)	21" (533)
10 SLOT	13 1/4" (337)	15 3/4" (400)	18 1/4" (464)	23 1/4" (591)

END CONDITION	CEILING OPENING LENGTH
ALL	NOM. LENGTH



STEP2:

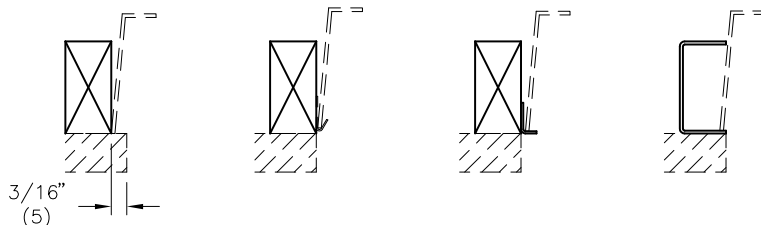
INSTALL PLENUM. USE PRICE TYPE 2 SDA/SDB PLENUM, UP/UPL PLENUM OR FIELD BUILD PLENUM WITH HEMMED EDGE. SECURE PLENUM TO FRAMING OR HANG FROM STRUCTURE AS REQUIRED BY LOCAL BUILDING CODES. PLENUM MAY BE INSTALLED FLUSH WITH FINISHED DRYWALL.



STEP3:

INSTALL DRYWALL. FINISH DRYWALL AND PAINT.

IF PLENUM IS NOT BEING USED, ENSURE A LEDGE IS ADDED FOR INSTALLING CONCEALED MOUNTING BRACKET. THIS MAY BE FORMED BY DRYWALL, A SHEET METAL HEM OR ANGLE, OR METAL STUD FRAMING. IF NO LEDGE IS INSTALLED, THE BRACKET MAY ALSO BE SCREWED IN PLACE.



PRICE®	
<i>MG</i>	SDS/SDR
1100042	INSTALLATION INSTRUCTIONS TYPE 2
2013/08/23	

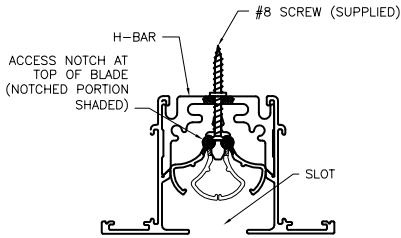
LINEAR SLOT DIFFUSERS

INSTALLATION INSTRUCTIONS

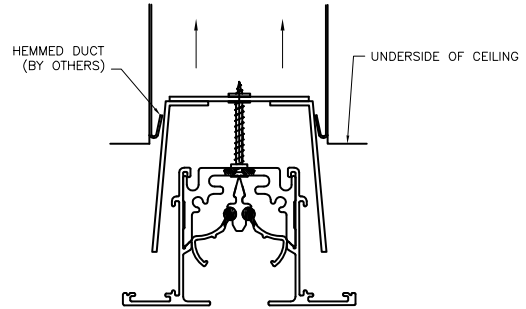
STEP4:

FOLLOW THESE INSTALLATION INSTRUCTION FOR SDS/SDR CONCEALED MOUNTING BRACKET.

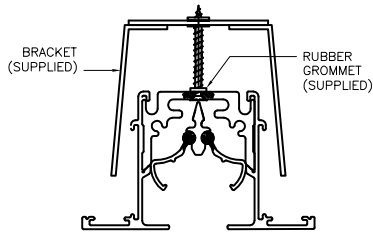
- A. SPREAD BLADES (NOTCHES IN BLADES PROVIDE ACCESS TO SCREW HOLES IN H-BAR).
- B. INSERT #8 SCREWS (SUPPLIED) THROUGH H-BAR



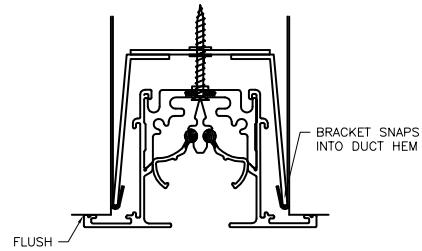
- E. PUSH BRACKET INTO HEMMED DUCT UNTIL BRACKET SNAPS IN PLACE.



- C. PUSH RUBBER GROMMET (SUPPLIED) DOWN SHAFT OF #8 SCREW.
- D. THREAD BRACKET (SUPPLIED) PART WAY DOWN SCREW SHAFT.

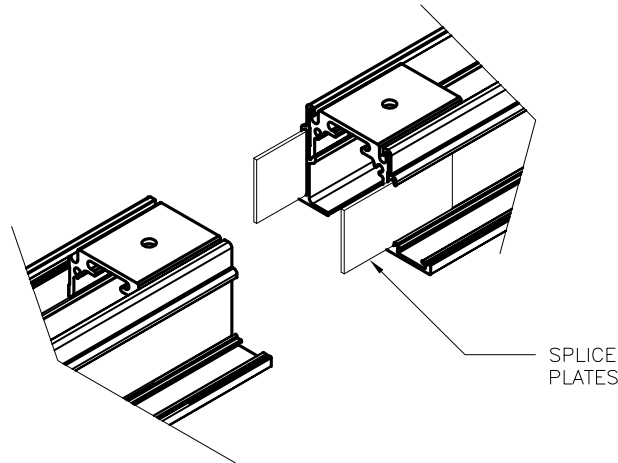


- F. TIGHTEN SCREW UNTIL UNIT IS FLUSH WITH THE CEILING.



STEP5:

IF MULTIPLE SECTIONS OF DIFFUSERS ARE USED, ALIGN SECTIONS TOGETHER USING THE SUPPLIED SPLICE PLATES AS ADDITIONAL SECTIONS ARE ADDED.



STEP6:

ADJUST BLADES FOR DESIRED FLOW AS PER INSTALLATION INSTRUCTION I100049.

PRICE[®]	
<i>MJ</i>	SDS/SDR
I100042	INSTALLATION INSTRUCTIONS TYPE 2
2013/08/23	

LINEAR SLOT DIFFUSERS

INSTALLATION INSTRUCTIONS

Y-END SPLICE PLATES:

ITEM	QUANTITY
Y-END SPLICE PLATE	2

CONCEALED MOUNTING BRACKETS:

DIFFUSER SECTION LENGTH	KIT QTY.
UP TO 48"	2
>48" TO 72"	3


EACH KIT INCLUDES:		
CMB FASTENING KIT QTY.	CMB OUT. SD BRKT ANG QTY.	CMB X-BRACE OUT. BRKT QTY.
1	2	1

CONCEALED MOUNTING BRACKET FASTENING KIT:

SLOT QTY.	EACH KIT INCLUDES:				
	#8 SCREW QTY.	CLIP-ON NUT QTY.	WASHER QTY.	#6 SCREW QTY.	SPLICE PLATE QTY.
1	1	1	1	1	2
2	2	2	2	2	2
3	1	1	1	1	2
4	2	2	2	2	2
5	2	2	2	2	2
6	2	2	2	2	2
7	3	3	3	3	2
8	4	4	4	4	2
9	3	3	3	3	2
10	4	4	4	4	2

PARTS LIST (ALL SIZES):

TYPE	DESCRIPTION	PART NUMBER
SDS/SDR	#8 SCREW 2.5"	031948-001
SDS/SDR	CLIP-ON NUT	032160-001
SDS/SDR	RUBBER WASHER	033363-001
SDS/SDR	#6-20 SCREW .375"	031011-001
SDS/SDR	SPLICE PLATE	234599-001
SDS/SDR	Y-END ALIGNMENT SPLICE PLATE	234599-001

price [®]	
	SDS/SDR
1100042	INSTALLATION INSTRUCTIONS TYPE 2
2013/08/23	

LINEAR SLOT DIFFUSERS

INSTALLATION INSTRUCTIONS

PARTS LIST (SDS/SDR 50):

TYPE	SLOTS	DESCRIPTION	PART NUMBER
SDS/SDR	1	CMB KIT	261601-101
SDS/SDR	2	CMB KIT	261601-103
SDS/SDR	3	CMB KIT	261601-105
SDS/SDR	4	CMB KIT	261601-107
SDS/SDR	5	CMB KIT	261601-109
SDS/SDR	6	CMB KIT	261601-111
SDS/SDR	7	CMB KIT	261601-113
SDS/SDR	8	CMB KIT	261601-115
SDS/SDR	9	CMB KIT	261601-117
SDS/SDR	10	CMB KIT	261601-119
SDS/SDR	1,3	CMB FASTENING KIT	205824-003
SDS/SDR	2,4,5,6	CMB FASTENING KIT	205824-004
SDS/SDR	7,9	CMB FASTENING KIT	205824-005
SDS/SDR	8,10	CMB FASTENING KIT	205824-006

PARTS LIST (SDS/SDR 75):

TYPE	SLOTS	DESCRIPTION	PART NUMBER
SDS/SDR	1	CMB KIT	261601-201
SDS/SDR	2	CMB KIT	261601-203
SDS/SDR	3	CMB KIT	261601-205
SDS/SDR	4	CMB KIT	261601-207
SDS/SDR	5	CMB KIT	261601-209
SDS/SDR	6	CMB KIT	261601-211
SDS/SDR	7	CMB KIT	261601-213
SDS/SDR	8	CMB KIT	261601-215
SDS/SDR	9	CMB KIT	261601-217
SDS/SDR	10	CMB KIT	261601-219
SDS/SDR	1,3	CMB FASTENING KIT	205824-003
SDS/SDR	2,4,5,6	CMB FASTENING KIT	205824-004
SDS/SDR	7,9	CMB FASTENING KIT	205824-005
SDS/SDR	8,10	CMB FASTENING KIT	205824-006

PRICE[®]	
<i>MG</i>	SDS/SDR
1100042	INSTALLATION INSTRUCTIONS TYPE 2
2013/08/23	

LINEAR SLOT DIFFUSERS


INSTALLATION INSTRUCTIONS

PARTS LIST (SDS/SDR 100):

TYPE	SLOTS	DESCRIPTION	PART NUMBER
SDS/SDR	1	CMB KIT	261601-301
SDS/SDR	2	CMB KIT	261601-303
SDS/SDR	3	CMB KIT	261601-305
SDS/SDR	4	CMB KIT	261601-307
SDS/SDR	5	CMB KIT	261601-309
SDS/SDR	6	CMB KIT	261601-311
SDS/SDR	7	CMB KIT	261601-313
SDS/SDR	8	CMB KIT	261601-315
SDS/SDR	9	CMB KIT	261601-317
SDS/SDR	10	CMB KIT	261601-319
SDS/SDR	1,3	CMB FASTENING KIT	205824-003
SDS/SDR	2,4,5,6	CMB FASTENING KIT	205824-004
SDS/SDR	7,9	CMB FASTENING KIT	205824-005
SDS/SDR	8,10	CMB FASTENING KIT	205824-006

PARTS LIST (SDS/SDR 150):

TYPE	SLOTS	DESCRIPTION	PART NUMBER
SDS/SDR	1	CMB KIT	261601-401
SDS/SDR	2	CMB KIT	261601-403
SDS/SDR	3	CMB KIT	261601-405
SDS/SDR	4	CMB KIT	261601-407
SDS/SDR	5	CMB KIT	261601-409
SDS/SDR	6	CMB KIT	261601-411
SDS/SDR	7	CMB KIT	261601-413
SDS/SDR	8	CMB KIT	261601-415
SDS/SDR	9	CMB KIT	261601-417
SDS/SDR	10	CMB KIT	261601-419
SDS/SDR	1,3	CMB FASTENING KIT	205824-003
SDS/SDR	2,4,5,6	CMB FASTENING KIT	205824-004
SDS/SDR	7,9	CMB FASTENING KIT	205824-005
SDS/SDR	8,10	CMB FASTENING KIT	205824-006

price [®]	
	SDS/SDR
1100042	INSTALLATION INSTRUCTIONS TYPE 2
2013/08/23	

LINEAR SLOT DIFFUSERS

INSTALLATION INSTRUCTIONS

ALWAYS READ & UNDERSTAND ALL INSTALLATION INSTRUCTIONS PRIOR TO STARTING.

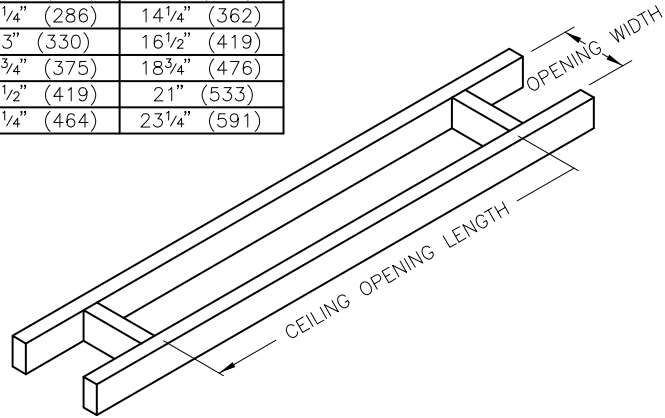
THIS INSTRUCTION APPLIES TO SDS/SDR SURFACE MOUNTED LINEAR DIFFUSERS WITH PLASTER FRAME, FRAME TYPES 3, 6 AND 7.

STEP1:

FRAME CEILING OPENING. REFER TO CHARTS FOR RECOMMENDED OPENING WIDTH AND LENGTH DIMENSIONS.

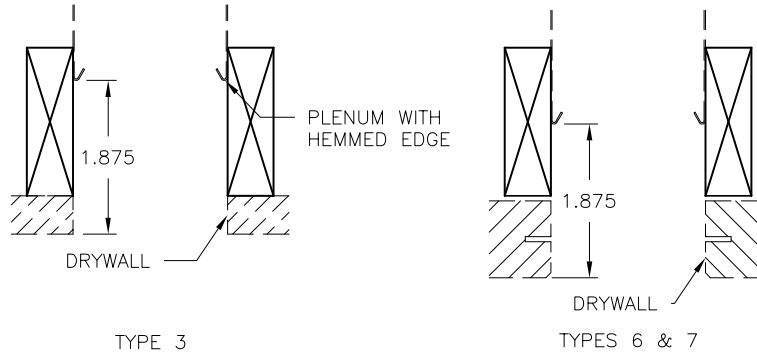
SLOT QTY.	NOMINAL DUCT WIDTH			
	SDS50	SDS75	SDS100	SDS150
1 SLOT	2" (51)	2 1/4" (57)	2 1/2" (64)	3" (76)
2 SLOT	3 1/4" (83)	3 3/4" (95)	4 1/4" (108)	5 1/4" (133)
3 SLOT	4 1/2" (114)	5 1/4" (133)	6" (152)	7 1/2" (191)
4 SLOT	5 3/4" (146)	6 3/4" (171)	7 3/4" (197)	9 3/4" (248)
5 SLOT	7" (178)	8 1/4" (210)	9 1/2" (241)	12" (305)
6 SLOT	8 1/4" (210)	9 3/4" (248)	11 1/4" (286)	14 1/4" (362)
7 SLOT	9 1/2" (241)	11 1/4" (286)	13" (330)	16 1/2" (419)
8 SLOT	10 3/4" (273)	12 3/4" (324)	14 3/4" (375)	18 3/4" (476)
9 SLOT	12" (305)	14 1/4" (362)	16 1/2" (419)	21" (533)
10 SLOT	13 1/4" (337)	15 3/4" (400)	18 1/4" (464)	23 1/4" (591)

END CONDITION	CEILING OPENING LENGTH
ALL	NOM. LENGTH



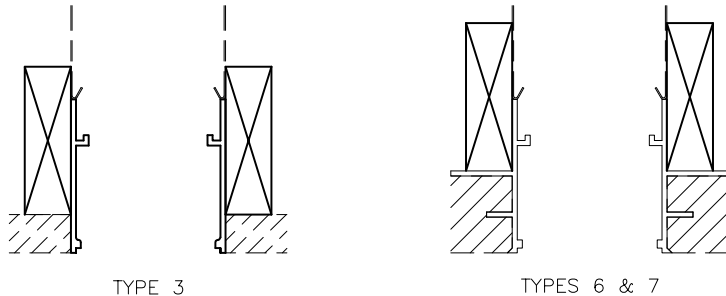
STEP2:

INSTALL PLENUM. USE PRICE TYPE 2 SDA/SDB PLENUM, UP/UPL PLENUM OR FIELD BUILD PLENUM WITH HEMMED EDGE. SECURE PLENUM TO FRAMING OR HANG FROM STRUCTURE AS REQUIRED BY LOCAL BUILDING CODES. PLENUM HEM MUST BE AT LEAST 1 7/8" (48) ABOVE FACE OF DRYWALL TO FIT PLASTER FRAME.



STEP3:

INSTALL PLASTER FRAME BY SECURING IT TO THE FRAMING. INSTALL DRYWALL. FINISH DRYWALL AND PAINT. SHIMS BETWEEN PLASTER FRAME AND FRAMING MAY BE NECESSARY TO ADJUST PLASTER FRAME SPACING.



PRICE®	
<i>MG</i>	SDS/SDR
1100043	INSTALLATION INSTRUCTIONS TYPES 3, 6 & 7
2013/08/23	

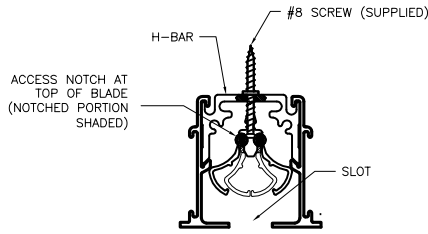
LINEAR SLOT DIFFUSERS

INSTALLATION INSTRUCTIONS

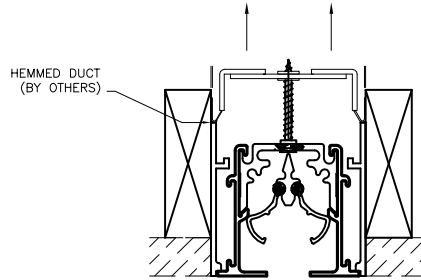
STEP4:

FOLLOW THESE INSTALLATION INSTRUCTION FOR SDS/SDR CONCEALED MOUNTING BRACKET (TYPE 3 SHOWN).

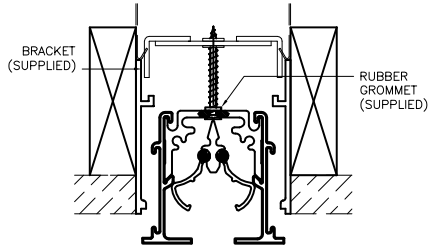
- A. SPREAD BLADES (NOTCHES IN BLADES PROVIDE ACCESS TO SCREW HOLES IN H-BAR).
- B. INSERT #8 SCREWS (SUPPLIED) THROUGH H-BAR



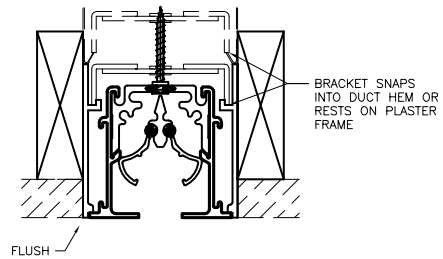
- E. PUSH BRACKET INTO HEMMED DUCT OR REST ON LEDGE OF THE PLASTER FRAME.



- C. PUSH RUBBER GROMMET (SUPPLIED) DOWN SHAFT OF #8 SCREW.
- D. THREAD BRACKET (SUPPLIED) PART WAY DOWN SCREW SHAFT.

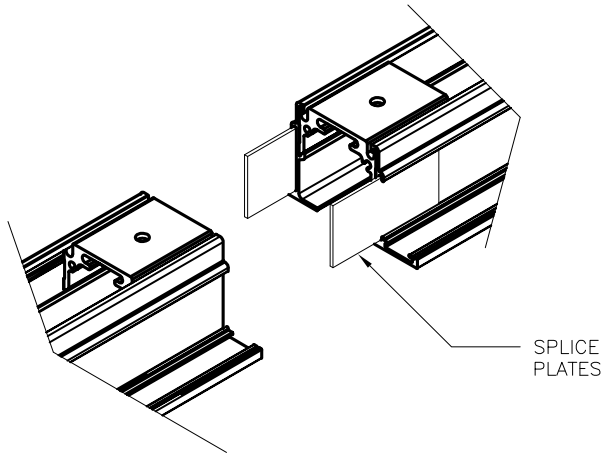


- F. TIGHTEN SCREW UNTIL UNIT IS FLUSH WITH THE CEILING.



STEP5:

IF MULTIPLE SECTIONS OF DIFFUSERS ARE USED, ALIGN SECTIONS TOGETHER USING THE SUPPLIED SPLICE PLATES AS ADDITIONAL SECTIONS ARE USED.



STEP6:

ADJUST BLADES FOR DESIRED FLOW AS PER INSTALLATION INSTRUCTION I100049.

PRICE[®]	
<i>MG</i>	SDS/SDR
I100043	INSTALLATION INSTRUCTIONS TYPES 3, 6 & 7
2013/08/23	

LINEAR SLOT DIFFUSERS

INSTALLATION INSTRUCTIONS

Y-END SPLICE PLATES:

ITEM	QUANTITY
Y-END SPLICE PLATE	2

CONVEALED MOUNTING BRACKETS:

DIFFUSER SECTION LENGTH	KIT QTY.
UP TO 48"	2
>48" TO 72"	3

EACH KIT INCLUDES:		
CMB FASTENING KIT QTY.	CMB OUT. SD BRKT ANG QTY.	CMB X-BRACE OUT. BRKT QTY.
1	2	1

CONCEALED MOUNTING BRACKET FASTENING KIT:

SLOT QTY.	EACH KIT INCLUDES:				
	#8 SCREW QTY.	CLIP-ON NUT QTY.	WASHER QTY.	#6 SCREW QTY.	SPLICE PLATE QTY.
1	1	1	1	1	2
2	2	2	2	2	2
3	1	1	1	1	2
4	2	2	2	2	2
5	2	2	2	2	2
6	2	2	2	2	2
7	3	3	3	3	2
8	4	4	4	4	2
9	3	3	3	3	2
10	4	4	4	4	2

PARTS LIST (ALL SIZES):

TYPE	DESCRIPTION	PART NUMBER
SDS/SDR	#8 SCREW 2.5"	031948-001
SDS/SDR	CLIP-ON NUT	032160-001
SDS/SDR	RUBBER WASHER	033363-001
SDS/SDR	#6-20 SCREW .375"	031011-001
SDS/SDR	SPLICE PLATE	234599-001
SDS/SDR	Y-END ALIGNMENT SPLICE PLATE	234599-001

price[®]	
<i>MG</i>	SDS/SDR
1100043	INSTALLATION INSTRUCTIONS TYPES 3, 6 & 7
2013/08/23	

LINEAR SLOT DIFFUSERS


INSTALLATION INSTRUCTIONS

PARTS LIST (SDS/SDR 50):

TYPE	SLOTS	DESCRIPTION	PART NUMBER
SDS/SDR	1	CMB KIT	261601-102
SDS/SDR	2	CMB KIT	261601-104
SDS/SDR	3	CMB KIT	261601-106
SDS/SDR	4	CMB KIT	261601-108
SDS/SDR	5	CMB KIT	261601-110
SDS/SDR	6	CMB KIT	261601-112
SDS/SDR	7	CMB KIT	261601-114
SDS/SDR	8	CMB KIT	261601-116
SDS/SDR	9	CMB KIT	261601-118
SDS/SDR	10	CMB KIT	261601-120
SDS/SDR	1,3	CMB FASTENING KIT	205824-003
SDS/SDR	2,4,5,6	CMB FASTENING KIT	205824-004
SDS/SDR	7,9	CMB FASTENING KIT	205824-005
SDS/SDR	8,10	CMB FASTENING KIT	205824-006

PARTS LIST (SDS/SDR 75):

TYPE	SLOTS	DESCRIPTION	PART NUMBER
SDS/SDR	1	CMB KIT	261601-202
SDS/SDR	2	CMB KIT	261601-204
SDS/SDR	3	CMB KIT	261601-206
SDS/SDR	4	CMB KIT	261601-208
SDS/SDR	5	CMB KIT	261601-210
SDS/SDR	6	CMB KIT	261601-212
SDS/SDR	7	CMB KIT	261601-214
SDS/SDR	8	CMB KIT	261601-216
SDS/SDR	9	CMB KIT	261601-218
SDS/SDR	10	CMB KIT	261601-220
SDS/SDR	1,3	CMB FASTENING KIT	205824-003
SDS/SDR	2,4,5,6	CMB FASTENING KIT	205824-004
SDS/SDR	7,9	CMB FASTENING KIT	205824-005
SDS/SDR	8,10	CMB FASTENING KIT	205824-006

price [®]	
	SDS/SDR
1100043	INSTALLATION INSTRUCTIONS TYPES 3, 6 & 7
2013/08/23	

LINEAR SLOT DIFFUSERS

INSTALLATION INSTRUCTIONS

PARTS LIST (SDS/SDR 100):

TYPE	SLOTS	DESCRIPTION	PART NUMBER
SDS/SDR	1	CMB KIT	261601-302
SDS/SDR	2	CMB KIT	261601-304
SDS/SDR	3	CMB KIT	261601-306
SDS/SDR	4	CMB KIT	261601-308
SDS/SDR	5	CMB KIT	261601-310
SDS/SDR	6	CMB KIT	261601-312
SDS/SDR	7	CMB KIT	261601-314
SDS/SDR	8	CMB KIT	261601-316
SDS/SDR	9	CMB KIT	261601-318
SDS/SDR	10	CMB KIT	261601-320
SDS/SDR	1,3	CMB FASTENING KIT	205824-003
SDS/SDR	2,4,5,6	CMB FASTENING KIT	205824-004
SDS/SDR	7,9	CMB FASTENING KIT	205824-005
SDS/SDR	8,10	CMB FASTENING KIT	205824-006

PARTS LIST (SDS/SDR 150):

TYPE	SLOTS	DESCRIPTION	PART NUMBER
SDS/SDR	1	CMB KIT	621601-402
SDS/SDR	2	CMB KIT	621601-404
SDS/SDR	3	CMB KIT	621601-406
SDS/SDR	4	CMB KIT	621601-408
SDS/SDR	5	CMB KIT	621601-410
SDS/SDR	6	CMB KIT	621601-412
SDS/SDR	7	CMB KIT	621601-414
SDS/SDR	8	CMB KIT	621601-416
SDS/SDR	9	CMB KIT	621601-418
SDS/SDR	10	CMB KIT	621601-420
SDS/SDR	1,3	CMB FASTENING KIT	205824-003
SDS/SDR	2,4,5,6	CMB FASTENING KIT	205824-004
SDS/SDR	7,9	CMB FASTENING KIT	205824-005
SDS/SDR	8,10	CMB FASTENING KIT	205824-006

PRICE[®]	
<i>MG</i>	SDS/SDR
1100043	INSTALLATION INSTRUCTIONS TYPES 3, 6 & 7
2013/08/23	

LINEAR SLOT DIFFUSERS

INSTALLATION INSTRUCTIONS

ALWAYS READ & UNDERSTAND ALL INSTALLATION INSTRUCTIONS PRIOR TO STARTING.

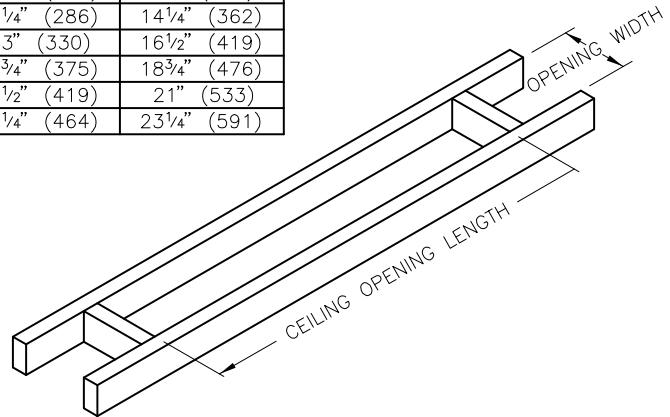
THIS INSTRUCTION APPLIES TO SDS/SDR CONCEALED PLASTER FRAME LINEAR DIFFUSERS, FRAME TYPES 8 AND 8A.

STEP1:

FRAME CEILING OPENING. REFER TO CHARTS FOR RECOMMENDED OPENING WIDTH AND LENGTH DIMENSIONS.

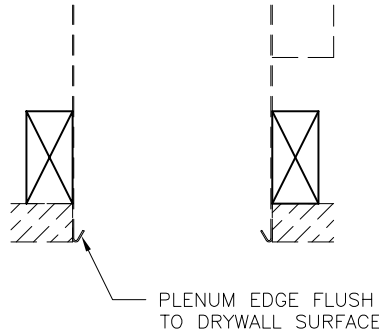
SLOT QTY.	NOMINAL DUCT WIDTH			
	SDS50	SDS75	SDS100	SDS150
1 SLOT	2" (51)	2 1/4" (57)	2 1/2" (64)	3" (76)
2 SLOT	3 1/4" (83)	3 3/4" (95)	4 1/4" (108)	5 1/4" (133)
3 SLOT	4 1/2" (114)	5 1/4" (133)	6" (152)	7 1/2" (191)
4 SLOT	5 3/4" (146)	6 3/4" (171)	7 3/4" (197)	9 3/4" (248)
5 SLOT	7" (178)	8 1/4" (210)	9 1/2" (241)	12" (305)
6 SLOT	8 1/4" (210)	9 3/4" (248)	11 1/4" (286)	14 1/4" (362)
7 SLOT	9 1/2" (241)	11 1/4" (286)	13" (330)	16 1/2" (419)
8 SLOT	10 3/4" (273)	12 3/4" (324)	14 3/4" (375)	18 3/4" (476)
9 SLOT	12" (305)	14 1/4" (362)	16 1/2" (419)	21" (533)
10 SLOT	13 1/4" (337)	15 3/4" (400)	18 1/4" (464)	23 1/4" (591)

END CONDITION	CEILING OPENING LENGTH
ALL	NOM. LENGTH



STEP2:

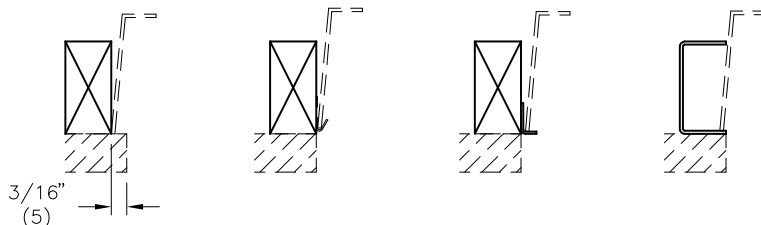
INSTALL PLENUM. USE PRICE TYPE 2 SDA/SDB PLENUM, UP/UPL PLENUM OR FIELD BUILD PLENUM WITH HEMMED EDGE. SECURE PLENUM TO FRAMING OR HANG FROM STRUCTURE AS REQUIRED BY LOCAL BUILDING CODES. PLENUM MAY BE INSTALLED FLUSH WITH FACE OF DRYWALL.



STEP3:

INSTALL DRYWALL. DO NOT FINISH.

FOR CONCEALED MOUNTING BRACKET INSTALLATION (TYPE 8), IF PLENUM IS NOT BEING USED, ENSURE A LEDGE IS ADDED BEFORE INSTALLING CONCEALED MOUNTING BRACKET. THIS MAY BE FORMED BY DRYWALL, A SHEET METAL HEM OR ANGLE, OR METAL STUD FRAMING. IF NO LEDGE IS INSTALLED, THE BRACKET MAY ALSO BE SCREWED IN PLACE.



PRICE®	
<i>MG</i>	SDS/SDR
1100044	INSTALLATION INSTRUCTIONS TYPES 8 & 8A
2013/08/23	

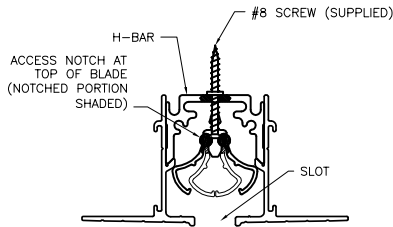
LINEAR SLOT DIFFUSERS

INSTALLATION INSTRUCTIONS

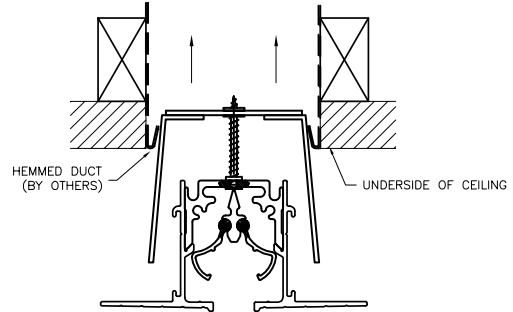
STEP4:

FOLLOW THESE INSTALLATION INSTRUCTION FOR SDS/SDR CONCEALED MOUNTING BRACKET (TYPE 8).

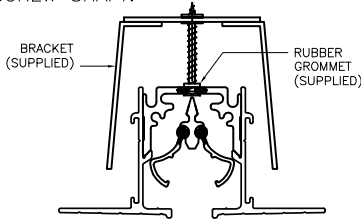
- A. SPREAD BLADES (NOTCHES IN BLADES PROVIDE ACCESS TO SCREW HOLES IN H-BAR).
- B. INSERT #8 SCREWS (SUPPLIED) THROUGH H-BAR



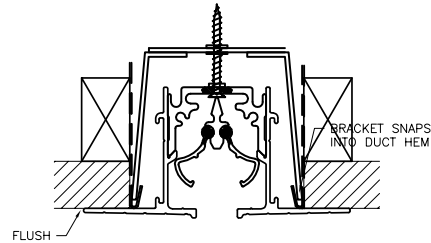
- E. PUSH BRACKET INTO HEMMED DUCT UNTIL BRACKET SNAPS IN PLACE.



- C. PUSH RUBBER GROMMET (SUPPLIED) DOWN SHAFT OF #8 SCREW.
- D. THREAD BRACKET (SUPPLIED) PART WAY DOWN SCREW SHAFT.

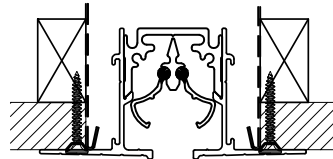


- F. TIGHTEN SCREW UNTIL UNIT IS FLUSH WITH THE CEILING.



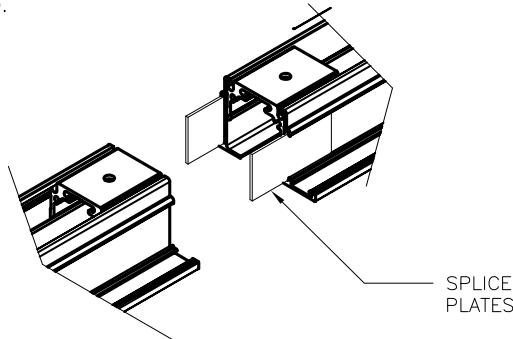
STEP5:

FOR SDS/SDR "A" MOUNTING (TYPE 8A), SCREW THE DIFFUSER FRAME TO THE CEILING FRAMING.



STEP6:

IF MULTIPLE SECTIONS OF DIFFUSERS ARE USED, ALIGN SECTIONS TOGETHER USING THE SUPPLIED SPLICE PLATES AS ADDITIONAL SECTIONS ARE ADDED.



STEP7:

FINISH AND PAINT DRYWALL AS PER INSTALLATION INSTRUCTION I100030 FOR MUD-IN FRAMES.

STEP8:

ADJUST BLADES FOR DESIRED FLOW AS PER INSTALLATION INSTRUCTION I100049.

PRICE[®]	
<i>MG</i>	SDS/SDR
I100044	INSTALLATION INSTRUCTIONS TYPES 8 & 8A
2013/08/23	

LINEAR SLOT DIFFUSERS

INSTALLATION INSTRUCTIONS

Y-END SPLICE PLATES:

ITEM	QUANTITY
Y-END SPLICE PLATE	2

CONCEALED MOUNTING BRACKETS:

DIFFUSER SECTION LENGTH	KIT QTY.
UP TO 48"	2
>48" TO 72"	3

EACH KIT INCLUDES:		
CMB FASTENING KIT QTY.	CMB OUT. SD BRKT ANG QTY.	CMB X-BRACE OUT. BRKT QTY.
1	2	1

CONCEALED MOUNTING BRACKET FASTENING KIT:


SLOT QTY.	EACH KIT INCLUDES:				
	#8 SCREW QTY.	CLIP-ON NUT QTY.	WASHER QTY.	#6 SCREW QTY.	SPLICE PLATE QTY.
1	1	1	1	1	2
2	2	2	2	2	2
3	1	1	1	1	2
4	2	2	2	2	2
5	2	2	2	2	2
6	2	2	2	2	2
7	3	3	3	3	2
8	4	4	4	4	2
9	3	3	3	3	2
10	4	4	4	4	2

SCREW MOUNTING (TYPE 8A):

DIFFUSER SIZE	COUNTERSUNK SCREW QUANTITY
UP TO 14"	2
>14" TO 22"	4
>22" TO 36"	6
>36" TO 48"	8
>48" TO 72"	10
>72" TO 96"	12

PARTS LIST (ALL SIZES):

TYPE	DESCRIPTION	PART NUMBER
SDS/SDR	#8 SCREW 2.5"	031948-001
SDS/SDR	CLIP-ON NUT	032160-001
SDS/SDR	RUBBER WASHER	033363-001
SDS/SDR	#6-20 SCREW .375"	031011-001
SDS/SDR	SPLICE PLATE	234599-001
SDS/SDR	Y-END ALIGNMENT SPLICE PLATE	234599-001
SDS/SDR	#8 SCREW 1.5" WHITE (TYPE 8A)	031720-001
SDS/SDR	#8 SCREW 1.5" BLACK (TYPE 8A)	031720-002

PRICE[®]	
	SDS/SDR
1100044	INSTALLATION INSTRUCTIONS TYPES 8 & 8A
2013/08/23	

LINEAR SLOT DIFFUSERS

INSTALLATION INSTRUCTIONS

PARTS LIST (SDS/SDR 50):

TYPE	SLOTS	DESCRIPTION	PART NUMBER
SDS/SDR	1	CMB KIT	261601-101
SDS/SDR	2	CMB KIT	261601-103
SDS/SDR	3	CMB KIT	261601-105
SDS/SDR	4	CMB KIT	261601-107
SDS/SDR	5	CMB KIT	261601-109
SDS/SDR	6	CMB KIT	261601-111
SDS/SDR	7	CMB KIT	261601-113
SDS/SDR	8	CMB KIT	261601-115
SDS/SDR	9	CMB KIT	261601-117
SDS/SDR	10	CMB KIT	261601-119
SDS/SDR	1,3	CMB FASTENING KIT	205824-003
SDS/SDR	2,4,5,6	CMB FASTENING KIT	205824-004
SDS/SDR	7,9	CMB FASTENING KIT	205824-005
SDS/SDR	8,10	CMB FASTENING KIT	205824-006

PARTS LIST (SDS/SDR 75):

TYPE	SLOTS	DESCRIPTION	PART NUMBER
SDS/SDR	1	CMB KIT	261601-201
SDS/SDR	2	CMB KIT	261601-203
SDS/SDR	3	CMB KIT	261601-205
SDS/SDR	4	CMB KIT	261601-207
SDS/SDR	5	CMB KIT	261601-209
SDS/SDR	6	CMB KIT	261601-211
SDS/SDR	7	CMB KIT	261601-213
SDS/SDR	8	CMB KIT	261601-215
SDS/SDR	9	CMB KIT	261601-217
SDS/SDR	10	CMB KIT	261601-219
SDS/SDR	1,3	CMB FASTENING KIT	205824-003
SDS/SDR	2,4,5,6	CMB FASTENING KIT	205824-004
SDS/SDR	7,9	CMB FASTENING KIT	205824-005
SDS/SDR	8,10	CMB FASTENING KIT	205824-006

PRICE[®]	
<i>MG</i>	SDS/SDR
1100044	INSTALLATION INSTRUCTIONS TYPES 8 & 8A
2013/08/23	

LINEAR SLOT DIFFUSERS


INSTALLATION INSTRUCTIONS

PARTS LIST (SDS/SDR 100):

TYPE	SLOTS	DESCRIPTION	PART NUMBER
SDS/SDR	1	CMB KIT	261601-301
SDS/SDR	2	CMB KIT	261601-303
SDS/SDR	3	CMB KIT	261601-305
SDS/SDR	4	CMB KIT	261601-307
SDS/SDR	5	CMB KIT	261601-309
SDS/SDR	6	CMB KIT	261601-311
SDS/SDR	7	CMB KIT	261601-313
SDS/SDR	8	CMB KIT	261601-315
SDS/SDR	9	CMB KIT	261601-317
SDS/SDR	10	CMB KIT	261601-319
SDS/SDR	1,3	CMB FASTENING KIT	205824-003
SDS/SDR	2,4,5,6	CMB FASTENING KIT	205824-004
SDS/SDR	7,9	CMB FASTENING KIT	205824-005
SDS/SDR	8,10	CMB FASTENING KIT	205824-006

PARTS LIST (SDS/SDR 150):

TYPE	SLOTS	DESCRIPTION	PART NUMBER
SDS/SDR	1	CMB KIT	261601-401
SDS/SDR	2	CMB KIT	261601-403
SDS/SDR	3	CMB KIT	261601-405
SDS/SDR	4	CMB KIT	261601-407
SDS/SDR	5	CMB KIT	261601-409
SDS/SDR	6	CMB KIT	261601-411
SDS/SDR	7	CMB KIT	261601-413
SDS/SDR	8	CMB KIT	261601-415
SDS/SDR	9	CMB KIT	261601-417
SDS/SDR	10	CMB KIT	261601-419
SDS/SDR	1,3	CMB FASTENING KIT	205824-003
SDS/SDR	2,4,5,6	CMB FASTENING KIT	205824-004
SDS/SDR	7,9	CMB FASTENING KIT	205824-005
SDS/SDR	8,10	CMB FASTENING KIT	205824-006

price [®]	
	SDS/SDR
1100044	INSTALLATION INSTRUCTIONS TYPES 8 & 8A
2013/08/23	

LINEAR SLOT DIFFUSERS

INSTALLATION INSTRUCTIONS

ALWAYS READ & UNDERSTAND ALL INSTALLATION INSTRUCTIONS PRIOR TO STARTING.

THIS INSTRUCTION APPLIES TO SDS/SDR SUSPENDED CEILING LINEAR DIFFUSERS, FRAME TYPES 9A, 9B AND 12.

STEP1:

FRAME CEILING OPENING. REFER TO CHARTS FOR RECOMMENDED OPENING LENGTH DIMENSIONS.

SLOT QTY.	DIFFUSER WIDTH			
	SDS50	SDS75	SDS100	SDS150
1 SLOT	1 ³ / ₈ " (35)	1 ⁵ / ₈ " (41)	1 ⁷ / ₈ " (48)	2 ³ / ₈ " (60)
2 SLOT	2 ⁵ / ₈ " (67)	3 ¹ / ₈ " (79)	3 ⁵ / ₈ " (92)	4 ⁵ / ₈ " (117)
3 SLOT	3 ⁷ / ₈ " (98)	4 ⁵ / ₈ " (117)	5 ³ / ₈ " (137)	6 ⁷ / ₈ " (175)
4 SLOT	5 ¹ / ₈ " (130)	6 ¹ / ₈ " (156)	7 ¹ / ₈ " (181)	9 ¹ / ₈ " (232)
5 SLOT	6 ³ / ₈ " (162)	7 ⁵ / ₈ " (194)	8 ⁷ / ₈ " (225)	11 ³ / ₈ " (289)
6 SLOT	7 ⁵ / ₈ " (194)	9 ¹ / ₈ " (232)	10 ⁵ / ₈ " (270)	13 ⁵ / ₈ " (346)
7 SLOT	8 ⁷ / ₈ " (225)	10 ⁵ / ₈ " (270)	12 ³ / ₈ " (314)	15 ⁷ / ₈ " (403)
8 SLOT	10 ¹ / ₈ " (257)	12 ¹ / ₈ " (308)	14 ¹ / ₈ " (359)	18 ¹ / ₈ " (460)
9 SLOT	11 ³ / ₈ " (289)	13 ⁵ / ₈ " (346)	15 ⁷ / ₈ " (403)	20 ³ / ₈ " (518)
10 SLOT	12 ⁵ / ₈ " (321)	15 ¹ / ₈ " (384)	17 ⁵ / ₈ " (448)	22 ⁵ / ₈ " (575)

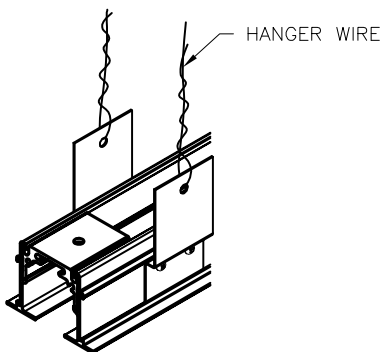
END CONDITION	CEILING OPENING LENGTH	
	TYPES 9A & 9B	TYPE 12
W-W	NOM. LENGTH	NOM. LENGTH
W-Y	NOM. LENGTH	NOM. LENGTH
X-X	NOM. LENGTH	NOM. LENGTH + 1/4" (6)
X-Y	NOM. LENGTH	NOM. LENGTH + 1/8" (3)
Y-Y	NOM. LENGTH	NOM. LENGTH
Y-Z	NOM. LENGTH	NOM. LENGTH
Z-Z	NOM. LENGTH	NOM. LENGTH



STEP2:

SUSPEND DIFFUSER SECTION USING HANGER WIRE THROUGH HANGER BRACKET.

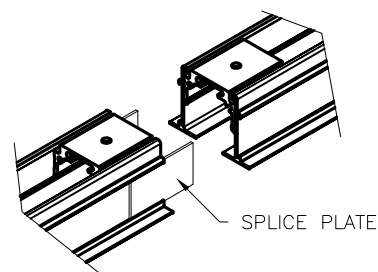
NOTE: IT MAY BE EASIER TO INSTALL PLENUMS TO DIFFUSER, OR SUSPEND FROM THE CEILING STRUCTURE PRIOR TO INSTALLING DIFFUSER.



STEP3:

CONTINUE HANGING DIFFUSER SECTIONS, CONNECTING SECTION TOGETHER WITH ALIGNMENT SPLICE PLATES, AS REQUIRED.

ADJUST HANGER WIRE TO MAKE DIFFUSER HANG LEVEL.



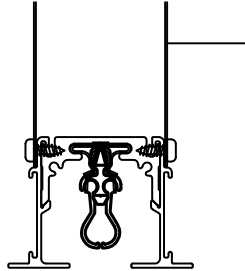
PRICE[®]	
<i>MG</i>	SDS/SDR
1100045	INSTALLATION INSTRUCTIONS TYPES 9A, 9B & 12
2013/08/23	

LINEAR SLOT DIFFUSERS

INSTALLATION INSTRUCTIONS

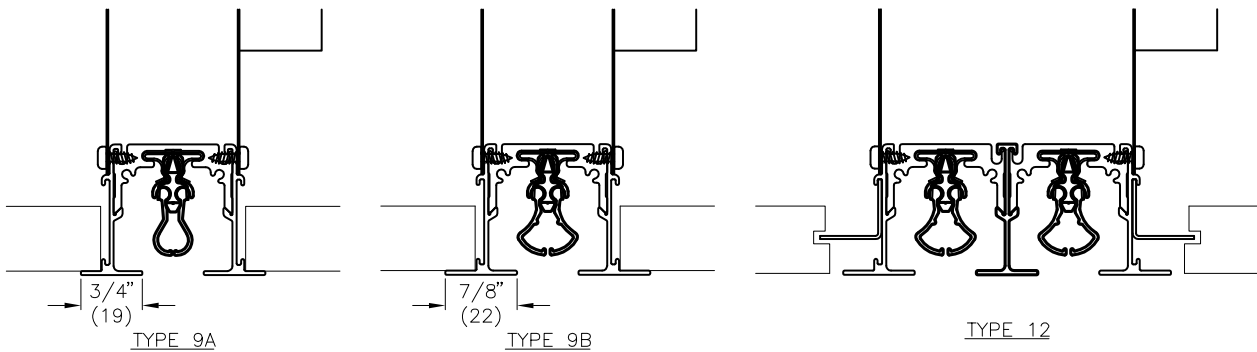
STEP5:

ATTACH SDA/SDR TYPE 14 PLENUM, UP/UPL PLENUM, OR FIELD BUILT PLENUM TO DIFFUSER BY SCREWING IT TO DIFFUSER FRAME. HANG OR SECURE PLENUM TO STRUCTURE AS REQUIRED BY LOCAL BUILDING CODES



STEP6:

INSTALL CEILING TILES AND ANY CROSS-TEES.



STEP7:

ADJUST BLADES FOR DESIRED FLOW AS PER INSTALLATION INSTRUCTION I100049.

Y-END SPLICE PLATES:

ITEM	QUANTITY
Y-END SPLICE PLATE	2

HANGER BRACKETS:

DIFFUSER SIZE	QUANTITY
UP TO 48"	4
>48" TO 72"	6

PARTS LIST:

TYPE	DESCRIPTION	PART NUMBER
SDS/SDR	Y-END ALIGNMENT SPLICE PLATE	234599-001
SDS/SDR	#8 SCREW 1.5" WHITE	031720-001
SDS/SDR	#8 SCREW 1.5" BLACK	031720-002
SDS/SDR	HANGER BRACKET	234616-001

PRICE[®]	
<i>MG</i>	SDS/SDR
I100045	INSTALLATION INSTRUCTIONS TYPES 9A, 9B & 12
2013/08/23	

LINEAR SLOT DIFFUSERS

INSTALLATION INSTRUCTIONS

ALWAYS READ & UNDERSTAND ALL INSTALLATION INSTRUCTIONS PRIOR TO STARTING.

THIS INSTRUCTION APPLIES TO SDS/SDR FLUSH MOUNT LAY-IN LINEAR DIFFUSERS, FRAMES TYPE 14 AND 916.

- SDS/SDR FLUSH MOUNT LAY-IN LINEAR DIFFUSERS, FRAME TYPES 14 AND 916.
- SDS/SDR T-BAR LAY-IN LINEAR DIFFUSERS, FRAME TYPES 15 AND 17
- SDS/SDR ARMSTRONG TECHZONE LINEAR DIFFUSERS, FRAME TYPES 18, 19 AND 20

STEP 1:

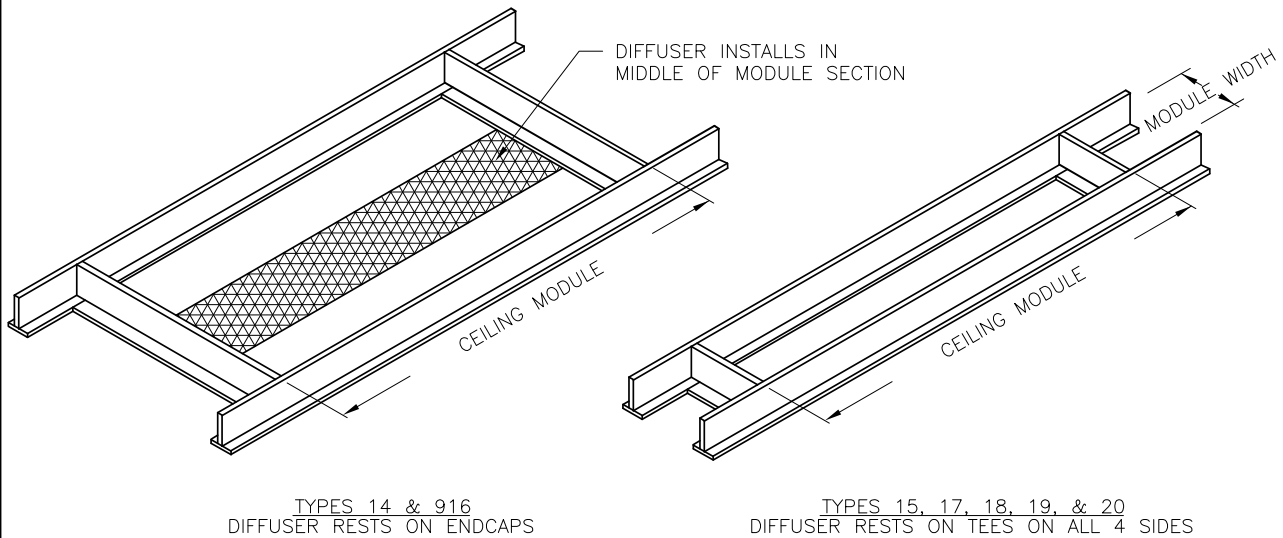
INSTALL CEILING GRID – REFER TO CHARTS FOR RECOMMENDED OPENING WIDTH AND LENGTH DIMENSIONS.

TYPES 14, 15, 17 & 916				
SLOT QTY.	NOMINAL DUCT WIDTH			
	SD50	SD75	SD100	SD150
1 SLOT	1 ³ / ₈ " (43)	1 ⁵ / ₈ " (49)	1 ⁷ / ₈ " (56)	2 ³ / ₈ " (68)
2 SLOT	2 ⁵ / ₈ " (75)	3 ¹ / ₈ " (87)	3 ⁵ / ₈ " (100)	4 ⁵ / ₈ " (125)
3 SLOT	3 ⁷ / ₈ " (106)	4 ⁵ / ₈ " (125)	5 ³ / ₈ " (144)	6 ⁷ / ₈ " (183)
4 SLOT	5 ¹ / ₈ " (138)	6 ¹ / ₈ " (164)	7 ¹ / ₈ " (189)	9 ¹ / ₈ " (240)
5 SLOT	6 ³ / ₈ " (170)	7 ⁵ / ₈ " (202)	8 ⁷ / ₈ " (233)	11 ³ / ₈ " (297)
6 SLOT	7 ⁵ / ₈ " (202)	9 ¹ / ₈ " (240)	10 ⁵ / ₈ " (278)	13 ⁵ / ₈ " (354)
7 SLOT	8 ⁷ / ₈ " (233)	10 ⁵ / ₈ " (278)	12 ³ / ₈ " (322)	15 ¹ / ₈ " (411)
8 SLOT	10 ¹ / ₈ " (265)	12 ¹ / ₈ " (316)	14 ¹ / ₈ " (367)	18 ¹ / ₈ " (468)
9 SLOT	11 ³ / ₈ " (297)	13 ⁵ / ₈ " (354)	15 ⁷ / ₈ " (411)	20 ³ / ₈ " (525)
10 SLOT	12 ⁵ / ₈ " (328)	15 ¹ / ₈ " (392)	17 ⁵ / ₈ " (456)	22 ⁵ / ₈ " (583)

TYPES 18, 19 & 20		
MODULE WIDTH	SLOT QTY.	NOM. DUCT WIDTH
4" (102)	1 SLOT	1 ⁵ / ₈ " (41)
4" (102)	2 SLOT	3 ¹ / ₈ " (79)
6" (152)	1 SLOT	1 ⁵ / ₈ " (41)
6" (152)	2 SLOT	3 ¹ / ₈ " (79)
6" (152)	3 SLOT	4 ⁵ / ₈ " (117)
6" (152)	4 SLOT	5 ¹ / ₈ " (130)

NOTE:
4 SLOT NOT AVAILABLE FOR FRAME TYPE 20.

END CONDITION	CEILING OPENING LENGTH
ALL	NOM. LENGTH



STEP 2:

PLENUM (IF REQUIRED) MAY BE ATTACHED TO THE BACK OF THE DIFFUSER WITH SHEET METAL SCREWS. THIS MAY BE DONE PRIOR TO INSTALLATION IN THE CEILING, OR AFTER LAYING DIFFUSER INTO CEILING GRID. SUSPENDING PLENUMS FROM CEILING STRUCTURE PRIOR TO DIFFUSER INSTALLATION MAY ALSO BE DONE.

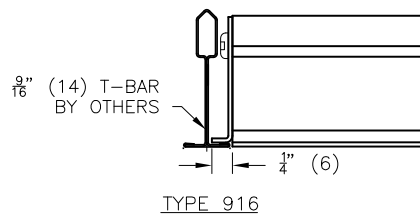
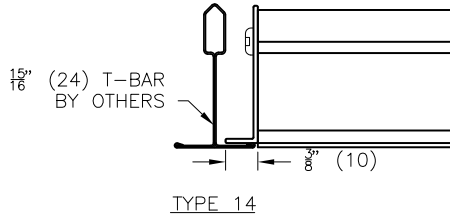
PRICE [®]	
<i>MG</i>	SDS/SDR
1100046	INSTALLATION INSTRUCTIONS TYPES 14, 15, 17 18, 19, 20 & 916
2014/06/17	

LINEAR SLOT DIFFUSERS

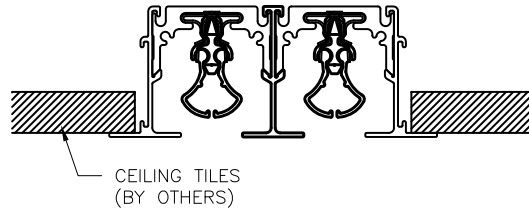
INSTALLATION INSTRUCTIONS

STEP 3:
FOR FLUSH MOUNT LAY-IN DIFFUSERS (TYPES 14 & 916):

A. LAY DIFFUSER ON Z-END CAPS.

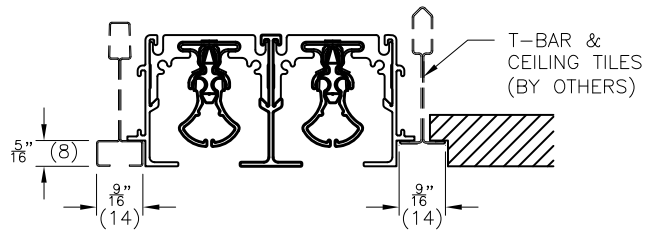
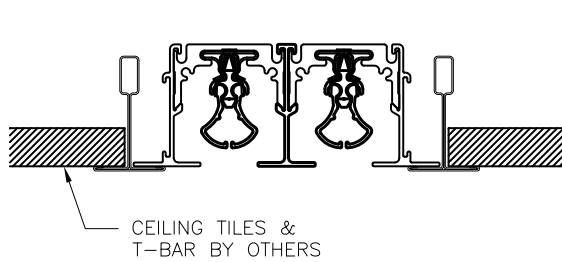
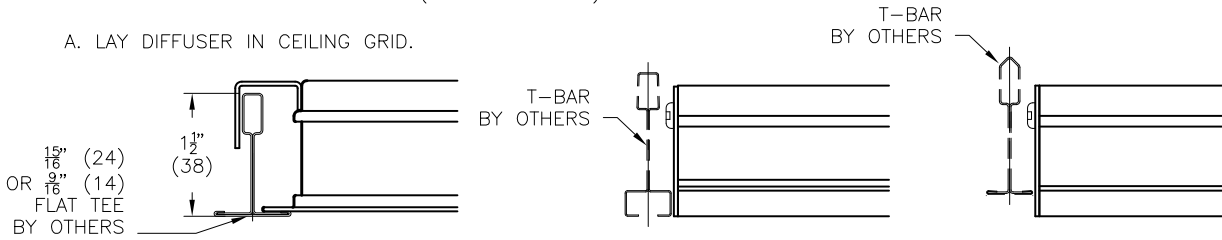


B. LAY CEILING TILES ON SIDE FRAMES AND SURROUNDING CEILING GRID.



STEP 4:
FOR LAY-IN T-BAR APPLICATIONS (TYPES 15 & 17):

A. LAY DIFFUSER IN CEILING GRID.



TYPE 15:
DIFFUSER FACE RESTS ON T-BAR ON ALL SIDES

TYPE 17:
DIFFUSER FACE RESTS ON T-BAR ALONG THE LENGTH.
Z-END CAPS ABOUT T-BARS ON ENDS.

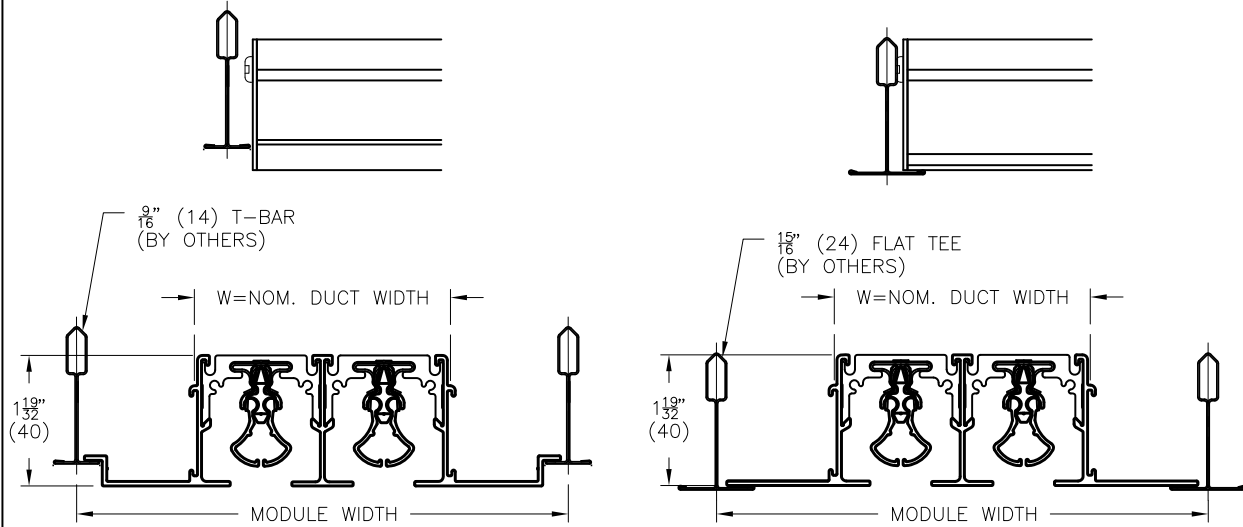
PRICE®	
<i>MG</i>	SDS/SDR
1100046	INSTALLATION INSTRUCTIONS TYPES 14, 15, 17 18, 19, 20 & 916
2014/06/17	

LINEAR SLOT DIFFUSERS

INSTALLATION INSTRUCTIONS

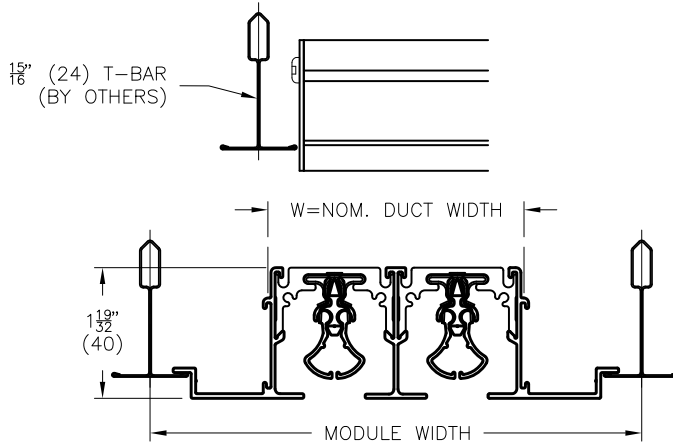
STEP 5:
FOR ARMSTRONG TECHZONE CEILING SYSTEMS (TYPES 18, 19 & 20):

A. LAY DIFFUSER IN CEILING GRID.



TYPE 18:
DIFFUSER FACE RESTS ON T-BAR ALONG THE LENGTH.
Z-END CAPS ABUT T-BARS ON ENDS.

TYPE 19:
DIFFUSER FACE RESTS ON T-BAR ON ALL SIDES



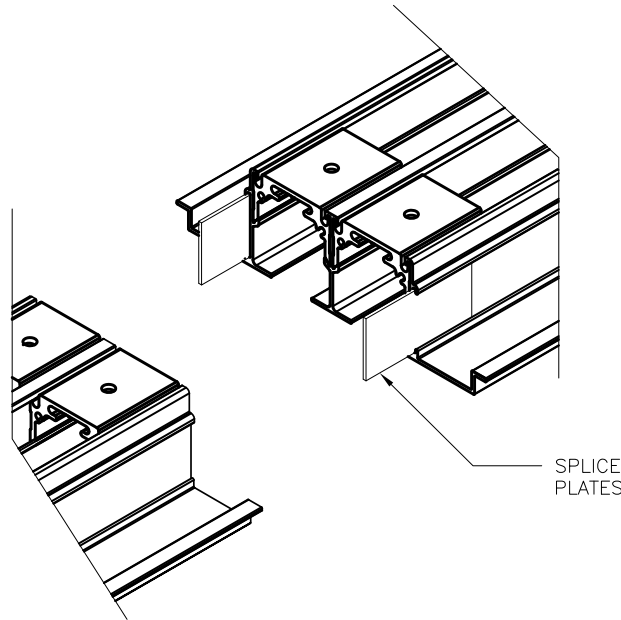
TYPE 20:
DIFFUSER FACE RESTS ON T-BAR ALONG THE LENGTH.
Z-END CAPS ABUT T-BARS ON ENDS.

PRICE[®]	
<i>MG</i>	SDS/SDR
I100046	INSTALLATION INSTRUCTIONS TYPES 14, 15, 17 18, 19, 20 & 916
2014/06/17	

LINEAR SLOT DIFFUSERS

INSTALLATION INSTRUCTIONS

B. IF MULTIPLE SECTIONS OF DIFFUSERS ARE USED, ALIGN SECTIONS TOGETHER USING THE SUPPLIED SPLICE PLATES AS ADDITIONAL SECTIONS ARE ADDED.



STEP 6:

USE HANGER WIRE OR METAL STRAPPING TO SUSPEND DIFFUSERS AND/OR PLENUMS FROM STRUCTURE. THIS STEP IS RECOMMENDED, AND MAY ALSO BE REQUIRED BY LOCAL CODES.

STEP 7:

ADJUST BLADES FOR DESIRED FLOW AS PER INSTALLATION INSTRUCTION I100049

Y-END SPLICE PLATES:

ITEM	QUANTITY
Y-END SPLICE PLATE	2

PARTS LIST:

TYPE	DESCRIPTION	PART NUMBER
SDS/SDR	Y-END ALIGNMENT SPLICE PLATE	234599-001

PRICE[®]	
<i>MG</i>	SDS/SDR
I100046	INSTALLATION INSTRUCTIONS TYPES 14, 15, 17 18, 19, 20 & 916
2014/06/17	

LINEAR SLOT DIFFUSERS

INSTALLATION INSTRUCTIONS

ALWAYS READ & UNDERSTAND ALL INSTALLATION INSTRUCTIONS PRIOR TO STARTING.

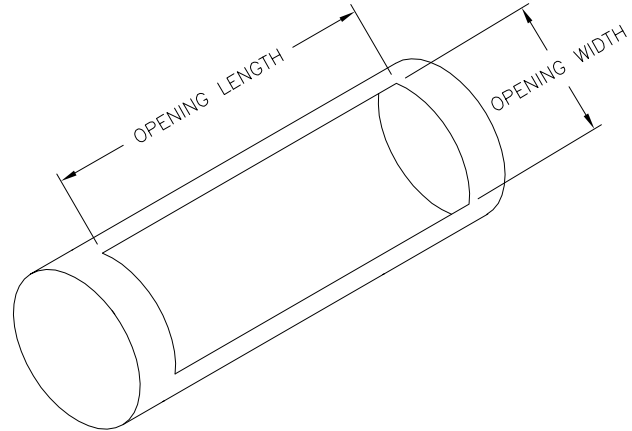
THIS INSTRUCTION APPLIES TO SDS/SDR DUCT MOUNTED LINEAR DIFFUSERS, FRAME TYPES 16

STEP 1:

DUCT OPENING: REFER TO CHARTS FOR RECOMMENDED OPENING WIDTH AND LENGTH DIMENSIONS.

SLOT QTY.	OPENING WIDTH	
	SDS75	SDS100
2 SLOT	3¾" (95)	4¼" (108)
3 SLOT	5¼" (133)	6" (152)
4 SLOT	6¾" (171)	7¾" (197)

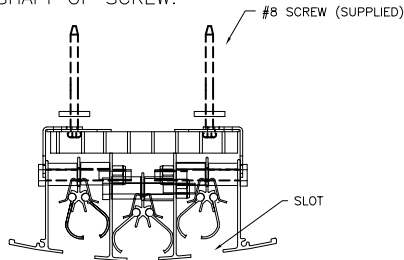
END CONDITION	DUCT OPENING LENGTH
W-W	NOM. LENGTH - 1"



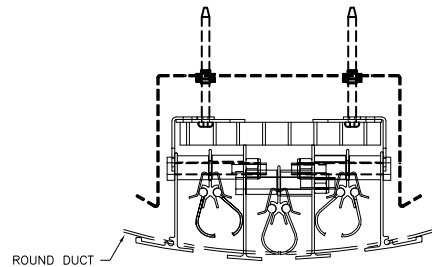
STEP 2:

INSTALL TYPE 16 CONCEALED MOUNTING BRACKET:

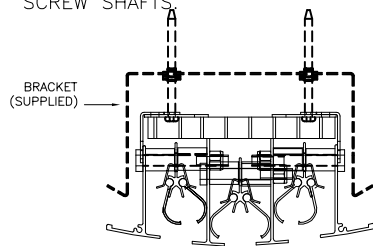
- A. ADJUST BLADES TO ALLOW ACCESS TO MOUNTING BRACKET THROUGH THE FACE OF THE DIFFUSER.
- B. INSERT #8 SCREWS (SUPPLIED). PUSH WASHER DOWN SHAFT OF SCREW.



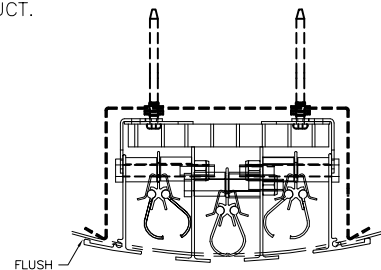
- D. INSERT DIFFUSER WITH ATTACHED MOUNTING BRACKETS INTO DUCT CUT OUT.



- C. THREAD ALL BRACKETS (SUPPLIED) PART WAY DOWN SCREW SHAFTS.



- E. TIGHTEN SCREWS UNTIL UNIT IS FLUSH WITH THE ROUND DUCT.



STEP 3:

ADJUST BLADES FOR DESIRED FLOW AS PER INSTALLATION INSTRUCTION I100049.

PRICE®	
<i>MG</i>	SDS/SDR
I100047	INSTALLATION INSTRUCTIONS TYPE 16
2013/08/23	

LINEAR SLOT DIFFUSERS


INSTALLATION INSTRUCTIONS

HANGER BRACKETS:

DIFFUSER SIZE	BRACKET QTY.	CLIP-ON NUT QTY.	SCREW QTY.	WASHER QTY.
UP TO 48"	2	4	4	4
>48" TO 72"	4	8	8	8

PARTS LIST:

TYPE	SIZE	SLOTS	DESCRIPTION	PART NUMBER
SDS/SDR	75	2	HANGER BRACKET	256547-002
SDS/SDR	75	3	HANGER BRACKET	256547-003
SDS/SDR	75	4	HANGER BRACKET	256547-004
SDS/SDR	100	2	HANGER BRACKET	256548-002
SDS/SDR	100	3	HANGER BRACKET	256548-003
SDS/SDR	100	4	HANGER BRACKET	256548-004
SDS/SDR	ALL	ALL	CLIP-ON NUT	032160-001
SDS/SDR	ALL	ALL	#8 SCREW 2.5"	031948-001
SDS/SDR	ALL	ALL	RUBBER WASHER	033363-001

PRICE [®]	
	SDS/SDR
1100047	INSTALLATION INSTRUCTIONS TYPE 16
2013/08/23	

LINEAR SLOT DIFFUSERS

INSTALLATION INSTRUCTIONS

ALWAYS READ & UNDERSTAND ALL INSTALLATION INSTRUCTIONS PRIOR TO STARTING.

THIS INSTRUCTION APPLIES TO SDS/SDR DIFFUSERS, FRAME TYPES 21 AND 22,, FOR INSTALLATION IN HUNTER DOUGLAS TECHSTYLE CEILINGS.

STEP 1:

INSTALL CEILING GRID. FRAME TYPES 21 AND 22 ARE ONLY AVAILABLE IN 6" CEILING MODULE WIDTH (3 SLOTS).

END CONDITION	CEILING MODULE LENGTH
ALL	NOM. LENGTH

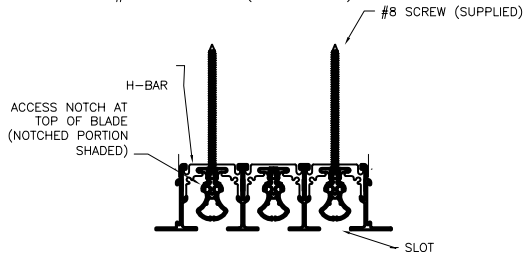
STEP 2:

INSTALL PLENUM (IF REQUIRED). USE PRICE UP/UPL PLENUM, OR FIELD BUILD PLENUM WITH HEMMED EDGE. LAY PLENUM ON TOP OF CEILING GRID. SECURE TO STRUCTURE AS REQUIRED.

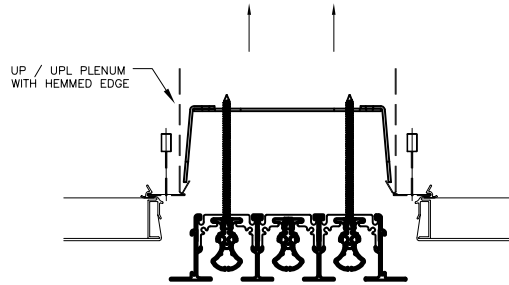
STEP 3:

FOLLOW THESE INSTALLATION INSTRUCTION FOR SDS/SDR CONCEALED MOUNTING BRACKET.

- A. SPREAD BLADES (NOTCHES IN BLADES PROVIDE ACCESS TO SCREW HOLES IN H-BAR).
- B. INSERT #8 SCREWS (SUPPLIED) THROUGH H-BAR

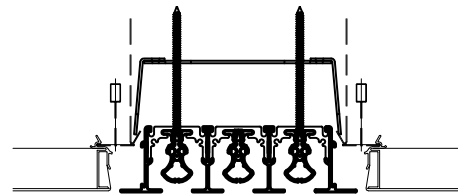
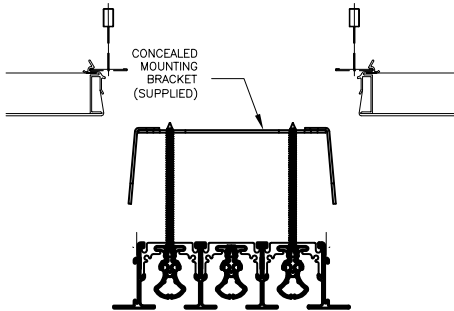


- E. PUSH BRACKET INTO HEMMED DUCT UNTIL BRACKET SNAPS IN PLACE.



- C. PUSH RUBBER GROMMET (SUPPLIED) DOWN SHAFT OF #8 SCREW.
- D. THREAD BRACKET (SUPPLIED) PART WAY DOWN SCREW SHAFT.

- F. TIGHTEN SCREW UNTIL NOTCHES AT ENDS LOCATE DIFFUSER BETWEEN TEES.

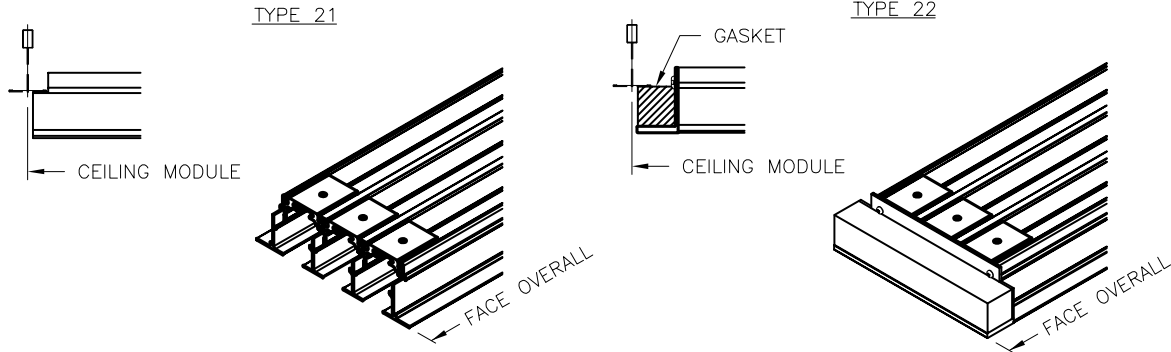


PRICE®	
<i>MG</i>	SDS/SDR
1100048	INSTALLATION INSTRUCTIONS TYPES 21 & 22
2013/08/23	

LINEAR SLOT DIFFUSERS

INSTALLATION INSTRUCTIONS

END NOTCHES LOCATE UNDER TECHSTYLE CEILINGS



STEP 4:

ADJUST BLADES FOR DESIRED FLOW AS PER INSTALLATION INSTRUCTION I100049.

CONVEALED MOUNTING BRACKETS:

DIFFUSER SECTION LENGTH	KIT QTY.
24" & 48"	2
60"	3

EACH KIT INCLUDES:		
CMB FASTENING KIT QTY.	CMB OUT. SD BRKT ANG QTY.	CMB X-BRACE OUT. BRKT QTY.
1	2	1

CONCEALED MOUNTING BRACKET FASTENING KIT:

SLOT QTY.	EACH KIT INCLUDES:				
	#8 SCREW QTY.	CLIP-ON NUT QTY.	WASHER QTY.	#6 SCREW QTY.	SPLICE PLATE QTY.
2	2	2	2	2	2
3	1	1	1	1	2
4	2	2	2	2	2

PARTS LIST (ALL SIZES):

TYPE	DESCRIPTION	PART NUMBER
SDS/SDR	#8 SCREW 2.5"	031948-001
SDS/SDR	CLIP-ON NUT	032160-001
SDS/SDR	RUBBER WASHER	033363-001
SDS/SDR	#6-20 SCREW .375"	031011-001
SDS/SDR	SPLICE PLATE	234599-001
SDS/SDR	Y-END ALIGNMENT SPLICE PLATE	234599-001
SDS/SDR	CMB KIT - 2 SLOT	261601-003
SDS/SDR	CMB KIT - 3 SLOT	261601-205
SDS/SDR	CMB KIT - 4 SLOT	261601-007
SDS/SDR	CMB FASTENING KIT - 2 SLOT	205824-203
SDS/SDR	CMB FASTENING KIT - 3 SLOT	205824-205
SDS/SDR	CMB FASTENING KIT - 4 SLOT	205824-207

PRICE®	
<i>MG</i>	SDS/SDR
I100048	INSTALLATION INSTRUCTIONS TYPES 21 & 22
2013/08/23	

LINEAR SLOT DIFFUSERS

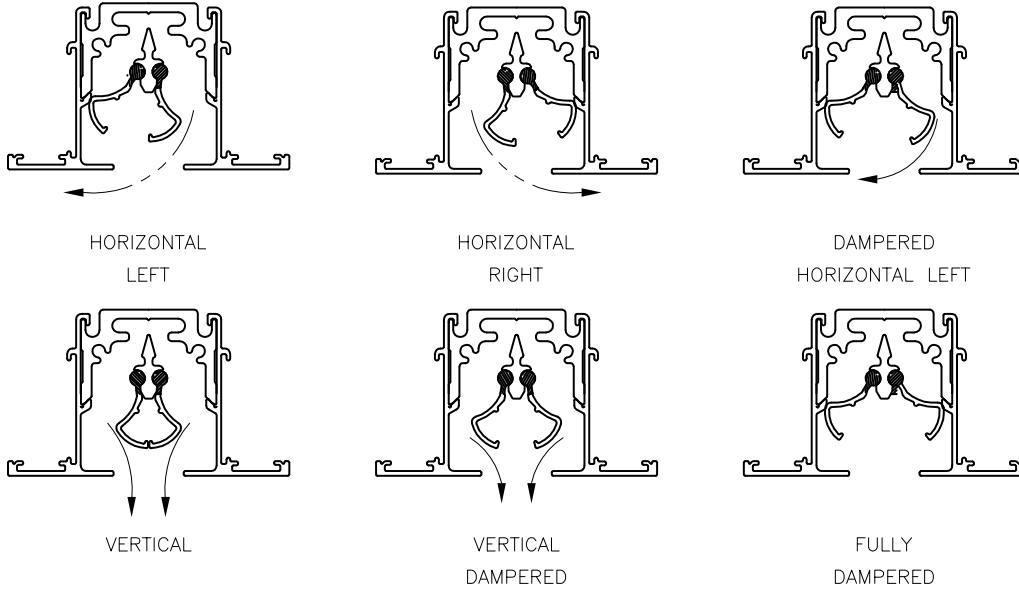
INSTALLATION INSTRUCTIONS

ALWAYS READ & UNDERSTAND ALL INSTALLATION INSTRUCTIONS PRIOR TO STARTING.

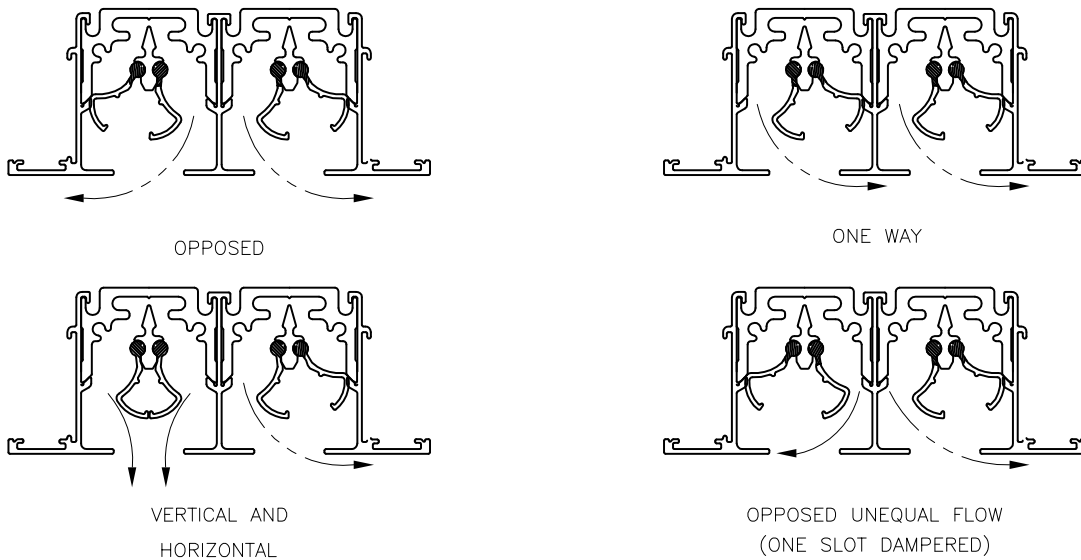
THIS INSTRUCTION APPLIES TO SDS LINEAR DIFFUSERS.

FOLLOW THE DIAGRAMS BELOW TO ADJUST FLOW ON THE SDS LINEAR DIFFUSERS.

ONE SLOT:



MULTIPLE SLOTS:



PRICE[®]	
<i>MG</i>	SDS/SDR
1100049	INSTALLATION INSTRUCTIONS ADJUST FLOW
2013/08/23	

LINEAR SLOT DIFFUSERS

INSTALLATION INSTRUCTIONS

ALWAYS READ & UNDERSTAND ALL INSTALLATION INSTRUCTIONS PRIOR TO STARTING.

THIS INSTRUCTION APPLIES TO SDS/SDR DIFFUSERS.

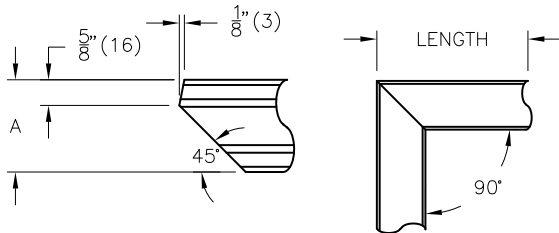
STEP 1:

CUT TO DESIRED LENGTH. ONE PIECE IS REQUIRED FOR EACH SLOT BEING BLANKED OFF.

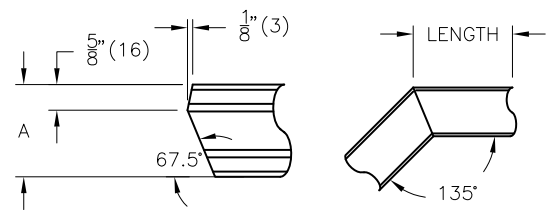
STEP 2:

MITRED CORNERS

FOR 90° MITRED CORNERS



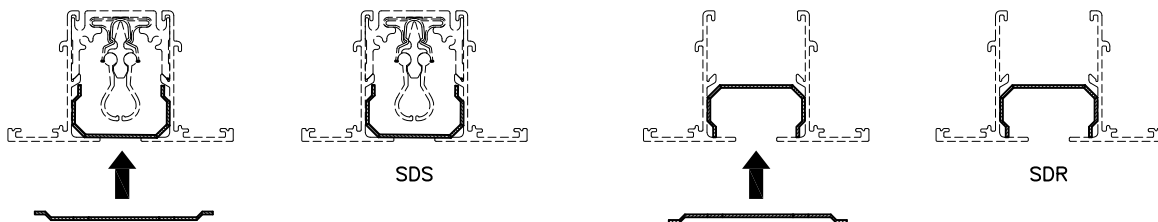
FOR 135° MITRED CORNERS



VB150 FOR SDS/R 150	3 ⁵ / ₃₂ " (80)
VB100 FOR SDS/R 100	2 ¹¹ / ₁₆ " (68)
VB75 FOR SDS/R 75	2 ⁹ / ₁₆ " (65)
VB50 FOR SDS/R 50	2 ³ / ₁₆ " (56)
Description	A

STEP 3:

INSERT THE VINYL BLANKOFF THROUGH THE AIR SLOT TO INSTALL. / BEND GENTLY AS REQUIRED TO FIT



PRICE [®]	
<i>MG</i>	SDS/SDR
1100054	VINYL BLANKOFF INSTALLATION INSTRUCTIONS
2014/12/29	

This document contains the most current product information as of this printing.
For the most up-to-date product information, please go to www.priceindustries.com.

© 2015 Price Industries Limited. All rights reserved.

price[®]